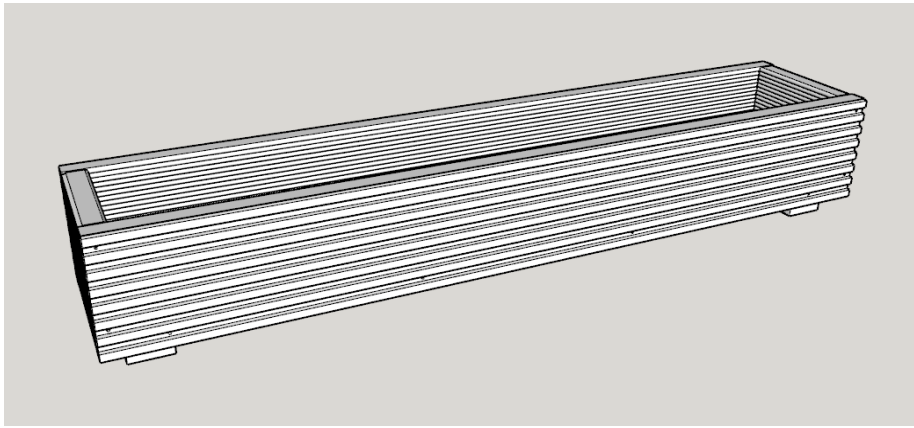


Window Box Assembly Instructions



Tools Required

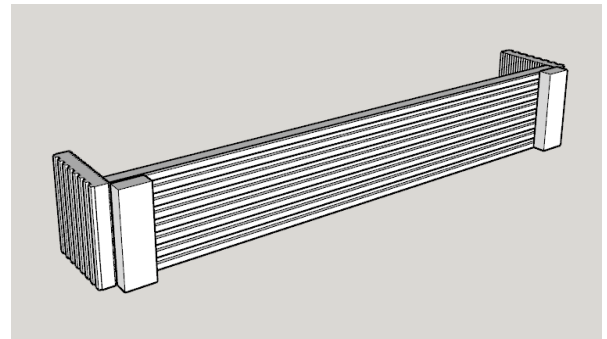
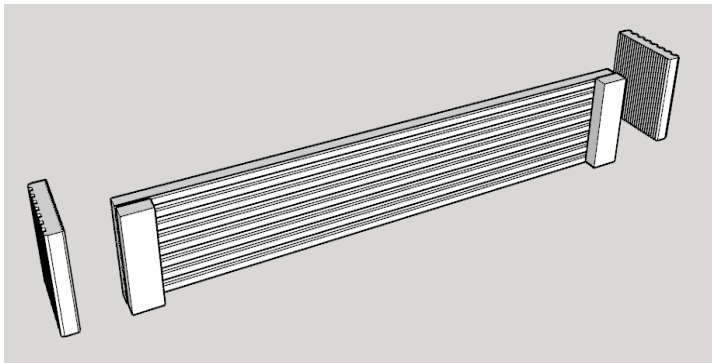


Star head handheld or electric screwdriver



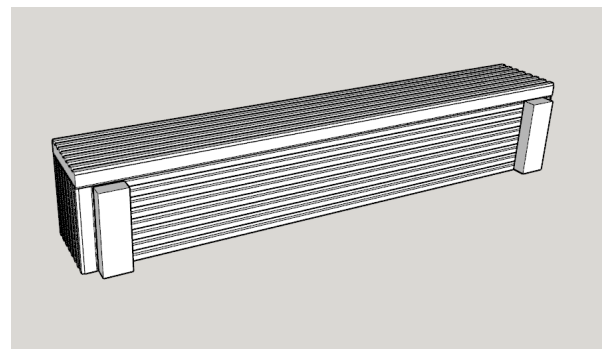
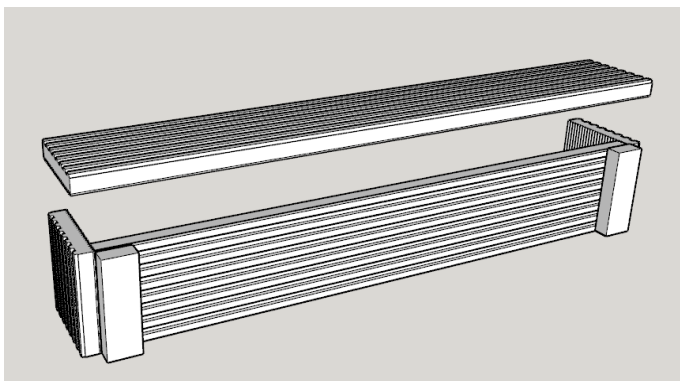
The window box comes with the feet already attached to the floor section. Note the holes in the floor section for drainage purposes.

STEP 1 - Place the floor and feet section on its side.

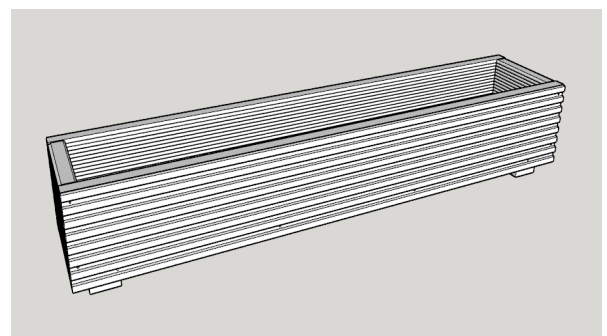
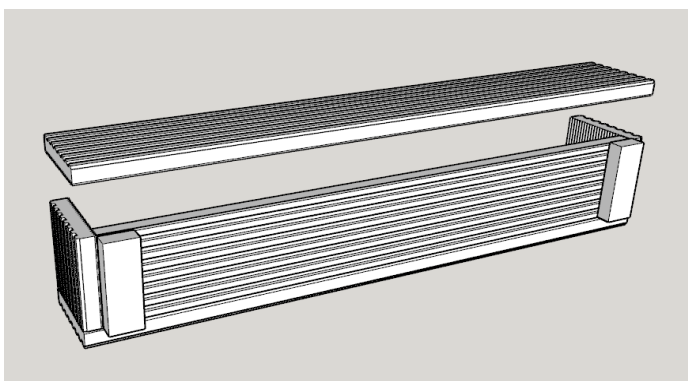


STEP 2 Fix the sides to the floor section using the screws provided making sure the bottom edge of the side is flush with the bottom of the floor section. Note that the sides have pre-drilled holes.

STEP 3 While on its side now attach the front section as shown using the screws provided.



STEP 4 Now turn the window box over and fix the rear section.



The window box is now ready for use.

For best results hose down the window box. This will remove any sawdust residue and excess soil.